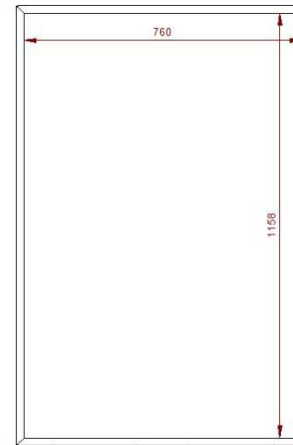
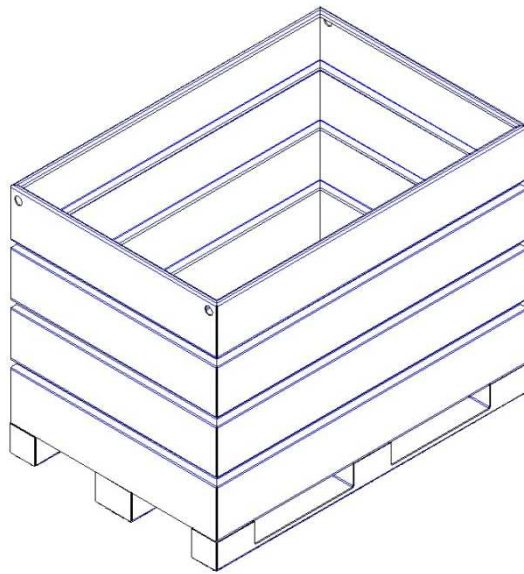
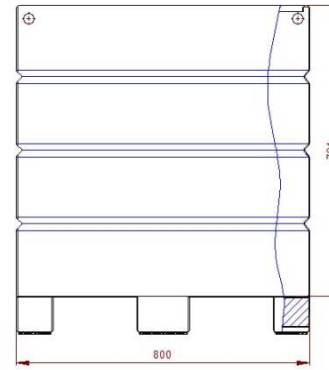
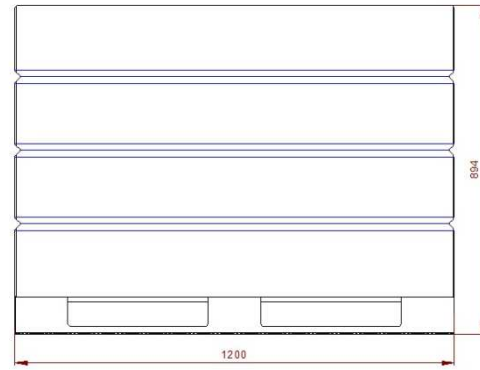


# FURBOT Physical Meeting

Bergamo 25. February 2014

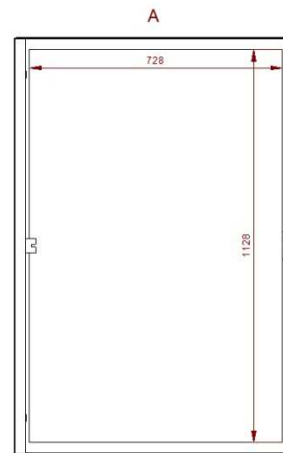
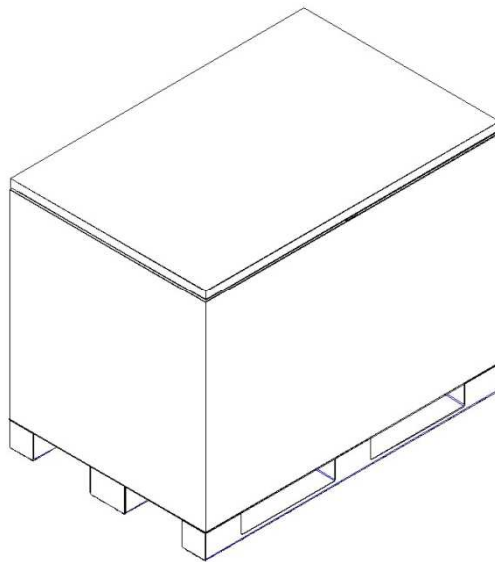
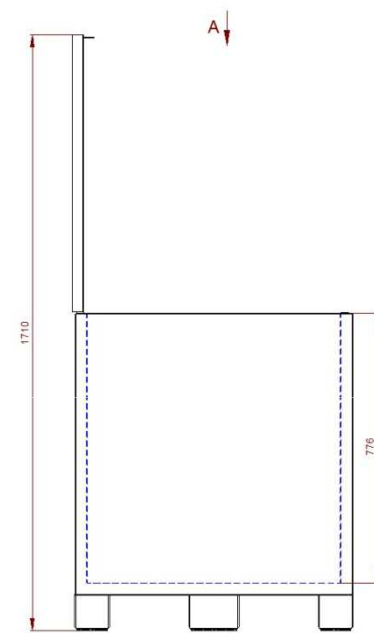
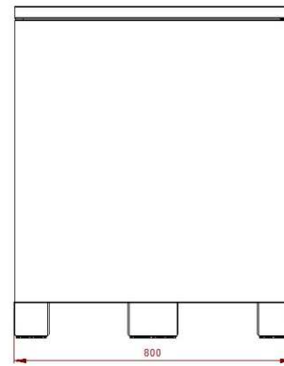
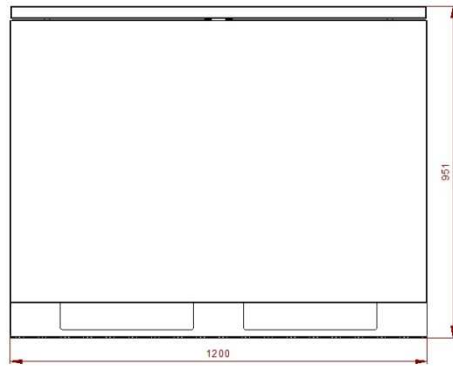
- Our duty was to design and produce boxies for transport load by Furbot vehicle.
- After assessment of some designs were made agreement for design and production of solid box, isolated box and multibox.

# Solid Box





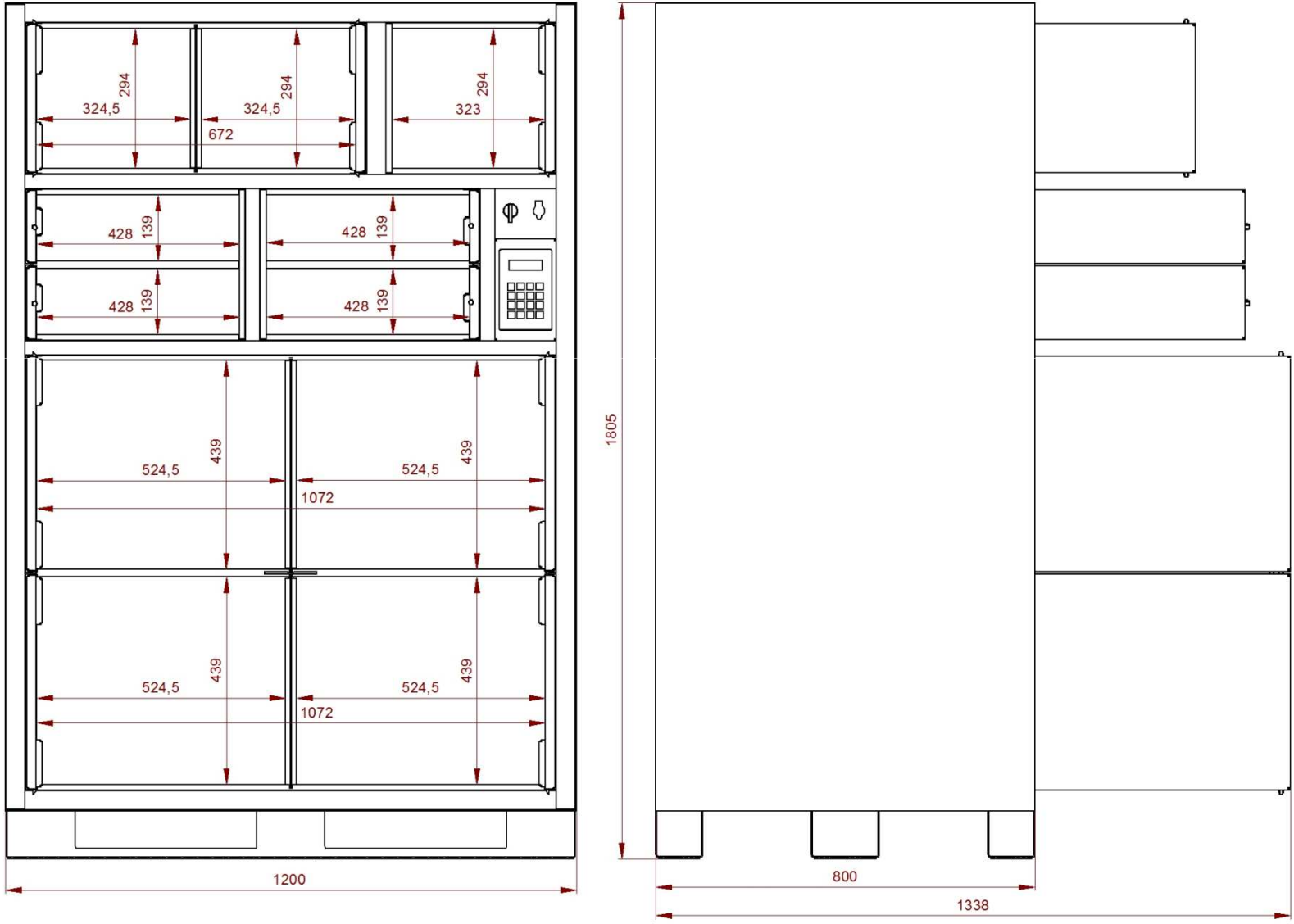
# Isolated Box



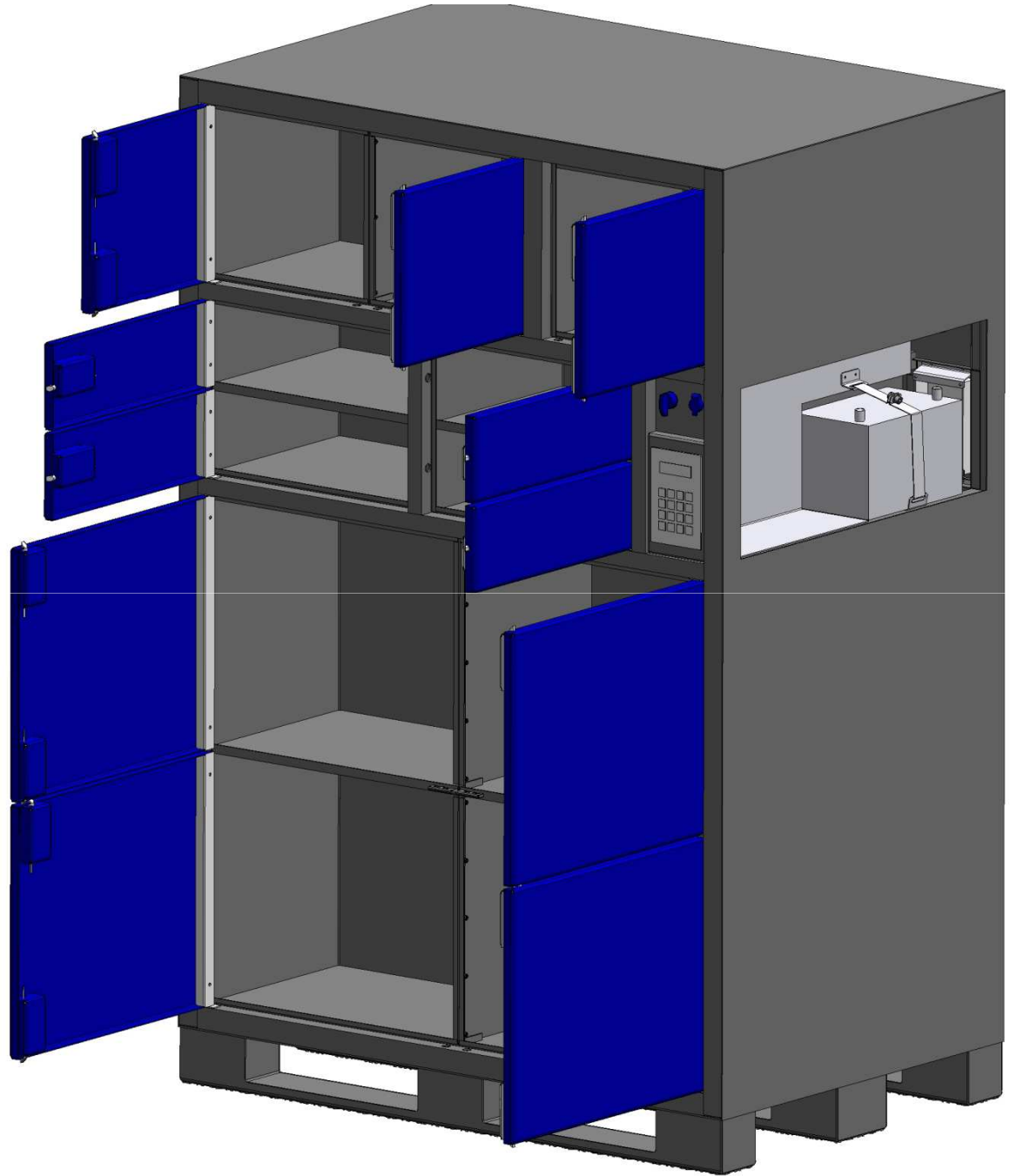




# Multibox







Thank you for attention